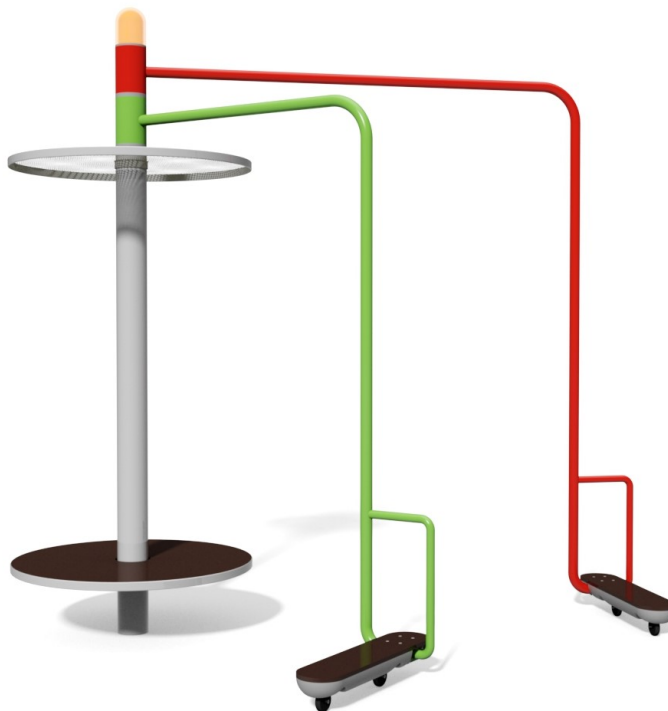


PRODUCT CODE:
3XI06-RD-GN

HYPER LOOP CAROUSEL - RED AND GREEN

ROLLMAGINE



DEVICE DATA

PROJECTION AND VIEW OF THE DEVICE

Easily accessible device

Compliance with the PN-EN standard: 1176-1:2024-03

Number of users : 4

Age group : +3

Width : Ø 6.70 m

Length : Ø 6.70 m

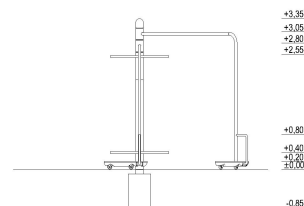
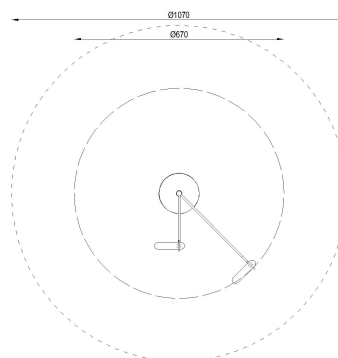
Height : 3.35 m

Minimum space required : Ø 10.70 m

Free fall height : 0.60 m

Fall area : 89.92 m²

Foundation depth : -0.85 m



COMPONENTS

Central pole with rotating element - 1 pc.

Boom trolley - 2 pcs.

TECHNOLOGY

Vertical structure: pipes $\varnothing 139.7 \times 4.5$ mm, galvanized, powder coated

Swivel arms: steel pipes, construction $\varnothing 60.3 \times 3.6$ mm, handle $\varnothing 42.4 \times 3.2$ mm, galvanized, powder coated

Trolley: polyurethane wheels with bearings (consumable item, requires replacement depending on the intensity of use)

Platform: anti-slip HPL board

Roof: black steel structure, galvanized, powder coated, perforated aluminum sheet (alternatively stainless steel)

End caps: plastic

Foundations: concrete class at least C20/25

Due to continuous improvement of technical solutions, the presented drawings, including colors and dimensions, may differ slightly from the currently manufactured devices.

NOLMO Sp. z o. o. reserves all rights to copyright protection under the Act of 04.02.1994 on Copyright and Related Rights (Journal of Laws No. 28 item 83), in particular Articles 78 and 79 of that Act.